

ONE YEAR LIMITED WARRANTY

Purchase Date: _____ ITEM# (above UPC code) _____

This Limited Warranty is effective upon purchase date. Please fill out the separate registration card and mail.

1. Lentek International warrants this product to be free of manufacturing defects. Should any such defect develop or become evident within ONE year from the date of purchase, Lentek International will replace the entire product or, at its option, repair or replace the defective part(s) without charge.
2. Securely pack the entire unit. Be sure the carton clearly identifies the sender by name and address. Attach a letter or card describing the nature of the defect. The original receipt of the purchase must be included in the returned package to be eligible for warranty coverage.
3. This warranty is void if the damage or malfunction is due to abuse or failure to operate the product in accordance with the instructions and/or on the recommended electrical current.

Mail prepaid via insured parcel post to:

LENTEK INTERNATIONAL, INC. •

3600 COMMERCE BLVD. • DOCK #7 • KISSIMMEE, FL 34741



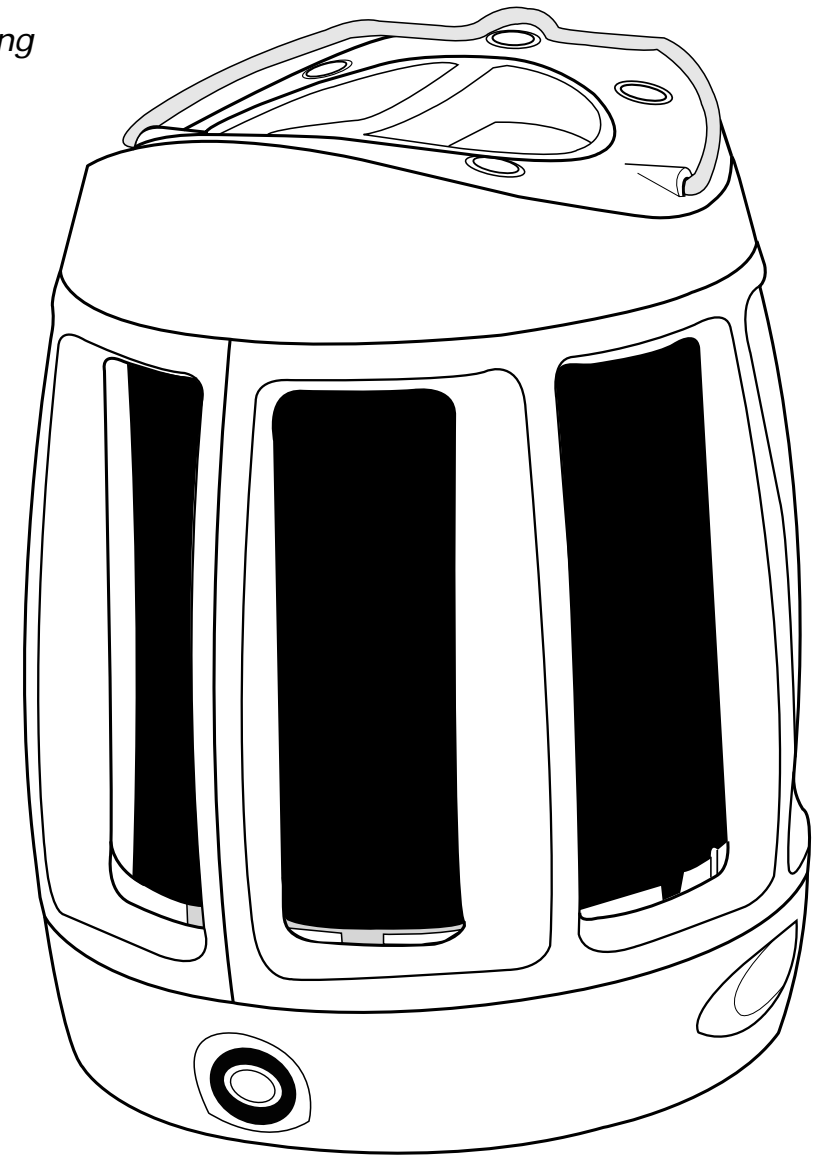
LENTEK INTERNATIONAL INC.
3700 Commerce Blvd. • Kissimmee, FL. 34741
Phone: 407•857•8786
Fax: 407•857•4045
Toll Free: 888•3LENTEK (353-6835)
Email: customerservice@lentek.com
www.lentek.com



LENTEK ECO TRAP MOSQUITO TRAP

Directions For Use

*Read Before Unpacking & Operating
The Lentek Eco-Trap.*



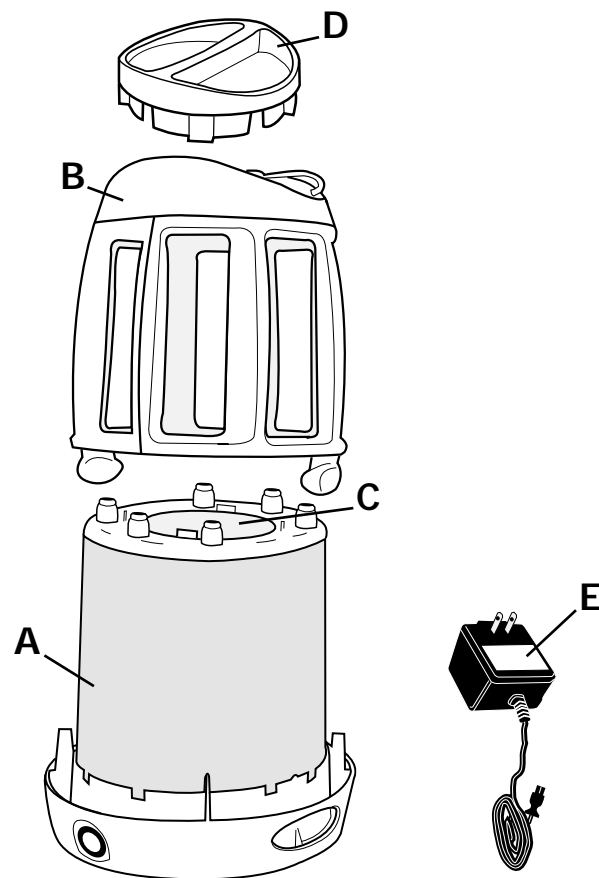
Approved
Power Supply

Power Requirements:
120 Volt AC Outlet

Parts Identification

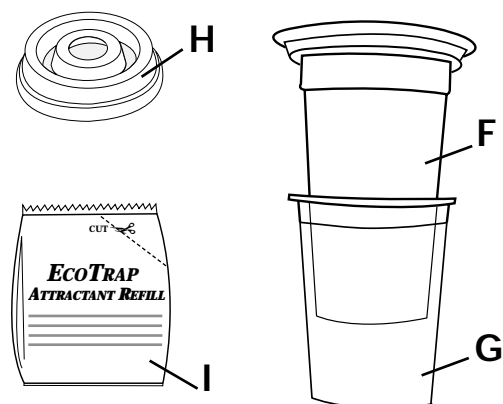
1. Eco-Trap Mosquito Trap

- (A) Eco-Trap Base with Heat-Sink
- (B) Eco-Trap Outer Shield
- (C) Attractant Cup Chamber
- (D) Attractant Cup Chamber Lid
- (E) Power Supply (UL listed)

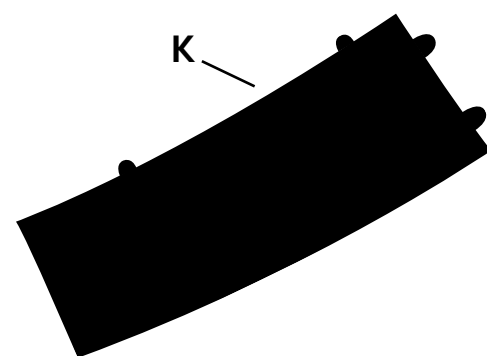


2. Attractant Cups and Foil Packs

- (F) Inner Attractant Cup
- (G) Outer Attractant Cup
- (H) Attractant Cup Cover
- (I) Foil Packs of Attractant



3. Sticky Paper (K)



Operation Of The Eco-Trap

Once the sticky paper and the attractant cup have been put into place as per the instructions, the trap is ready for use. Carefully place the trap in the location you have selected following the "WHERE TO PLACE THE ECO-TRAP" and all of the "SAFETY" guidelines. Proceed as follows:

1. Plug in the power supply cord to an approved outdoor use extension cord or directly into a 120V AC Outlet, as per the safety instructions and plug the other end into the Eco-Trap unit.
2. Locate the ON/OFF button near the bottom edge of the main body. **See Illustration.** Press the button, as indicated, to turn the unit "ON". The button will light up.
3. It takes approximately 30 minutes from the time the Eco-Trap is turned "ON" for the reaction to produce effective quantities of attractant and for the sticky paper to obtain optimum temperature.
4. Attractant must be used when first mixed and placed in unit. Do not turn unit off and restart later with the same attractant as this may cause obstruction of the inner cup ventilation holes.



Maintenance

1. Replace the sticky paper whenever it starts to become full.
Mosquito Fact: About 800 dead mosquitoes equals 1 tablespoon! One ounce equals over 65,000 dead mosquitoes! A full sticky paper can hold up to 1,000 mosquitos!
2. There is a replaceable fuse on the bottom of the Eco-Trap. Check this fuse if the Eco-Trap does not turn on when properly plugged into an approved electric outlet.
⚠ WARNING: Always remember to unplug the unit and remove the attractant cup before service.
3. **CAUTION:** Do not obstruct the flow of ventilation air around the Eco-Trap.
Example: Placing on padded surface.
4. Clean the Eco-Trap outside surface with a mild detergent on a damp cloth. Rinse with clean water only.
⚠ WARNING: Always remember to unplug the unit and remove the attractant cup before cleaning. Do Not Spray with or immerse in water. Do not use a dripping wet cloth!
5. Do not handle the Eco-Trap when using insect repellents.
6. Do not store the Eco-Trap near insect repellents or other chemicals.

General Safety Information

This manual contains important information about the operation and maintenance of the Lentek Eco-Trap. General safety information is presented here and is also located throughout this manual. Keep this manual for future reference and to educate any new users. Safety precautions are essential when using, storing, or servicing the Eco-Trap to reduce the possibility of personal injury and/or property damage. The symbols following on the next page are used throughout this manual for your safety and should always be heeded.

⚠ DANGER

DANGER indicates an immediately hazardous situation which, if not avoided, will result in death or serious injury.

⚠ WARNING

WARNING indicates a potentially hazardous situation which, if not avoided, could result in death or serious injury.

⚠ CAUTION

CAUTION indicates a potentially hazardous situation which, if not avoided, may result in minor or moderate personal injury or property damage.

Troubleshooting

Problem	Possible Reason	Solution
Poor mosquito capture.	Trap placement.	Check the area where you have the trap for air movement pattern and follow placement instructions.
No power.	Trap not powered.	Check electric outlet plugged into, verify the power switch is "ON" and lighted, check fuse on trap bottom.
Poor mosquito capture.	Air not bubbling in attractant cup.	Check that the cup is sealed properly and that the cup chamber lid is tight.
Poor mosquito capture.	Air not bubbling in attractant cup.	Attractant in cup was reused or cup not cleaned. Air holes in bottom of inner cup are plugged. Clean as per instructions.
Poor mosquito capture.	Attractant cup not cleaned properly from prior use.	Remove and clean attractant cup as per instructions.

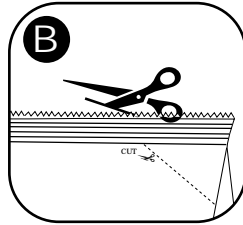
Attractant Cup Use

The attractant consists of a proprietary formula comprised of food grade compounds that when combined with water produce CO₂ and other attractants similar to those emitted by warm-blooded animals. When water is added, the reaction will produce attractant for a period of 24 hours. Attractant can be replaced daily for even greater mosquito capture. It takes approximately 30 minutes after adding the cool water for the reaction to produce attractant in effective quantities to attract mosquitoes.

1. Take one (1) empty pre-assembled attractant cup set. *See Illustration A.* Each cup is designed for six uses. See Step 7 for reuse information.
CAUTION: Do not use only inner or outer cup alone, they must be used in combination. See Illustration F.

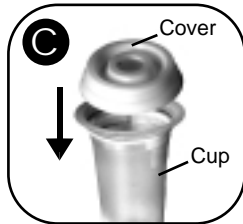


2. Take one foil pack of attractant and cut open the corner.
See Illustration B. Pour the contents into the attractant cup.



3. Add 150ml (5 ounces) of cool (18-20C, 60-70F) water into the attractant cup. Do not overfill water. Do not stir.

4. Place the cover onto the cup and snap into place. *See Illustration C.*



5. Remove the cup chamber lid. *See Illustration D.* Carefully place the attractant cup into the cup chamber on the top of the trap. Be careful not to spill any contents. *See Illustration E.* Avoid delays in placing attractant cup into unit as reaction to produce attractant begins when water is added.

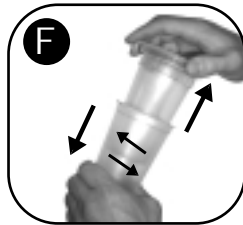


6. Replace the cup chamber lid. Be sure the cover locks into place, to insure an airtight seal. *See Illustration D.*

7. To reuse an attractant cup, remove the cup from the trap (cup will be warm to the touch), pop off the cup cover by inserting a finger into the hole and pulling while holding the cup. Dump the used attractant into the trash. Gently wash the cover and rinse with hot water. The cup comes apart into two parts by grasping the bottom half in one hand and placing your other hand over the top, grasping the edges of the top lip. Gently twist and pull so that the outer cup separates from the inner cup. Be careful not to crush cups. *See Illustration F.* Gently wash both cup sections and rinse with hot water. Allow to dry before reassembly to use.



Failure to properly clean, rinse, and allow the attractant cup and cover to dry may make the next batch of attractant not function correctly to attract mosquitoes.



CAUTION: Attractant cup and cover are NOT dishwasher or microwave safe.

CAUTION: Attractant not for human or animal consumption. Keep away from children and pets.

- The maximum ambient air temperature for use of attractant is 38C (100.4F).
- Unopened attractant should be stored in a cool dry place.
- Unopened attractant has a shelf life of 18 months, see the expiration date marked on each foil pack.

Safety

1. Use only extension cords having plugs and receptacles that accept the Eco-Trap's plug. Replace or repair damaged extension cords.
2. The electrical rating of the extension cord must be as great as the electrical rating of the Eco-Trap. Lentek recommends an extension cord of 16 gauge or greater.
3. Don't abuse the power supply cord. Never yank it to disconnect from the receptacle or from the Eco-Trap. Keep all electrical cords away from heat, oil, or sharp edges.
4. The connection between the Eco-Trap and any extension cord used must be kept dry and off the ground.
5. Disconnect the Eco-Trap from the power supply when not in use, before adding attractant cartridges, before cleaning, before servicing, or for storage.
6. Do not insert foreign objects into this or any electrical product.
7. The Eco-Trap and its attractant should be stored indoors when not in use and kept away from children. Empty the attractant cup and clean unit before storage.
8. To avoid electric shock, DO NOT clean the Eco-Trap with spraying water or by immersion in water or other liquid.
9. All repairs to the Eco-Trap must be performed only by qualified service personnel.
10. Read and follow all instructions prior to use of the Eco-Trap.
11. Young children should be carefully supervised when they are in the area of the Eco-Trap.
12. Clothing or other flammable materials should not be hung from or placed on the Eco-Trap.
13. Any guard or other protective device removed for servicing the Eco-Trap must be replaced prior to operating.
14. Keep the area around the Eco-Trap clear and free from combustible materials, gasoline, and other flammable vapors and liquids.

Where To Place The Eco-Trap

Many species of mosquito have an adult life span that lasts about two weeks. About 3000 species of mosquito have been identified world-wide, with approximately 170 species found in the United States. Both male and female mosquitoes feed on plant nectar, but only the female requires a blood meal. The blood meal is needed for each batch of eggs the female lays, typically she feeds once every 3-4 days. A blood meal usually lasts about 90 seconds if the mosquito is not disturbed and can equal about 1^{1/2} times the female mosquitoes' body weight! A single female can lay thousands of eggs during her life span.

The female mosquito is attracted by scent (including CO₂), temperature, shape, color, movement, and for some species, even sound. The female mosquito is most active between 50 degrees Fahrenheit and 95 degrees Fahrenheit in calm or light breeze conditions. Mosquitoes tend to travel up-wind when seeking a blood meal.

The placement of the Eco-Trap will greatly affect the success of the unit capturing mosquitoes. The largest number of mosquitoes will be captured by positioning the Eco-Trap as follows:

Outdoors: Find the normal down-wind direction from the area you want to reduce mosquitoes (towards where mosquitoes are living, i.e. trees, bushes, water). Place the Eco-Trap in the downwind area at the edge or slightly beyond, of the patio, deck, or other area where you want to reduce mosquitoes. Be sure to place the Eco-Trap out of direct sunlight. Do not place the Eco-Trap under a bright light. Maximum height of 6 feet.

WARNING: Avoid exposing trap to heavy or prolonged rain.

Indoors: The Eco-Trap can be used indoors when mosquitoes are a problem there. Place the unit on a stable surface in the room or area where mosquitoes are most likely to enter. Leave interior doors open to allow the mosquitoes to find the trap. Be careful to place something under the trap to protect furniture from any spillage. Do not place unit on electric appliances such as a television. Look for air movement within the house to find ideal locations for the trap. Just like outdoors, mosquitoes will tend to travel upwind indoors, following air currents in their search for a meal! Do not place the Eco-Trap under a light.

CAUTION: Keep the trap out of the reach of children and pets.

Where To Place The Eco-Trap (Con't)

CAUTION: Minimum clearance 24 inches to walls or ceilings is required.

With careful placement, mosquitoes will encounter the Eco-Trap and be captured before coming into contact with you and your family.

Sand Flies: The Eco-Trap will attract and capture biting sand flies. Sand flies require placement of the trap at a height of two feet or less from the ground in an area where they commonly are a problem. Your placement for mosquitoes can be coupled with sand fly placement to help control both pests!

How The Eco-Trap Works

The Lentek Eco-Trap utilizes the attractiveness of CO₂, a blend of attractant odors, moisture, body temperature (thermal imaging), color, shape, and airflow in an effective design that captures mosquitoes. The Lentek Eco-Trap uses a traditional mosquito trapping approach, combined with the latest in research, to turn the female mosquitoes' natural hunting techniques toward seeking out the trap and facilitating capture in a product that private home owners can use. Beneficial insects remain unharmed because mosquitoes are specifically targeted.

The Eco-Trap is designed to economically operate 24 hours per day for maximum control of mosquitoes. Different species of mosquitoes are more active at different times of the day. By operating your Eco-trap continuously, all of the mosquitoes around your home have the opportunity to be trapped.

What To Expect From The Eco-Trap

The Eco-Trap will achieve best results when used continuously with attractant. The Eco-Trap operates by catching steady numbers of egg laying female mosquitoes each 24 hour day if cartridges are changed regularly. Best capture will be with a fresh attractant refill daily in the early evening hours. A steady capture of female mosquitoes can have a future impact. Place the Eco-Trap in use the evening before planned outdoor activities and leave operating until after the activities.

Mosquitoes start to come out when the outside temperature is consistently above about 50 degrees Fahrenheit. This is when you should begin control by operating your unit. When the temperature falls consistently below 50 degrees Fahrenheit, the mosquitoes will be gone and you can put your Eco-Trap away. (See instructions for storage.)

Operational Guidelines

1. Avoid placing the Eco-Trap in direct sunlight.
2. **⚠️ WARNING:** Do not place Eco-Trap on unstable surfaces or areas where trap may tip over, or on electrical appliances.
3. **⚠️ WARNING:** Do not tip Eco-Trap after adding attractant cup as it will cause spillage of attractant.
4. **⚠️ WARNING:** Do not overfill attractant cup to prevent attractant from overflowing when in use.
5. Do not under fill attractant cup with water, as it will decrease the function of the device.
6. Do not place Eco-Trap on objects that might be harmed in case of spillage.
7. Allow 30 minutes warm up time after adding attractant and / or fresh sticky paper to achieve optimum mosquito capture results.
8. **CAUTION:** Used attractant cups should not be emptied into sink or toilet.
9. Dispose of all used attractant in an appropriate manner.
10. **⚠️ WARNING:** Avoid exposing trap to heavy or prolonged rain.

Sticky Paper Use

The efficient transfer of heat to the sticky paper is important for effective mosquito capture. It is necessary that when the sticky paper is placed onto the Eco-Trap that there be a good fit with no air spaces between the sticky paper and the trap body.

***TO ENSURE A GOOD FIT,
ALWAYS FOLLOW THESE STEPS:***

1. Remove the attractant cup chamber lid, then press the buttons on the lower edge of each side to release the Eco-Trap outer shield and slide it off. *See Illustration A.*
2. Peel back the edge of the brown wax paper to uncover the slits that are placed into the tabs. *See Illustration B.*
3. Carefully insert the tabs into the slits without touching the backing to the sticky surface. *See Illustration C.*
4. When the tabs are completely in the slits, cover the overlap area with the brown wax paper and press down along the seam to seal the edges and tabs in to place. Finish removing the brown wax paper covering the sticky paper.
5. Place the paper onto the heat-sink of the Eco-Trap base, sliding it over the heat-sink. *See Illustration D.*
6. Rotate the completed ring of sticky paper, holding the non-sticky handles on top, until the notches in the bottom of the sticky paper align with the matching raised keys at the bottom of the heat-sink. *See Illustration E.*
7. Replace the Eco-Trap outer shield onto the unit. Be sure that the latch buttons lock into place. *See Illustration F.*

