

LENTEK WARRANTY

PestControl®

Purchase Date _____

This Limited Warranty is effective upon purchase. Please complete the attached Registration and return to Lentek International.

1. Lentek International warrants this product to be free of manufacturing defects. Should any such defect develop or become evident within ONE year from the date of purchase, Lentek International will replace the entire product or, at its option, repair or replace the defective part(s) without charge.
2. Securely pack the entire unit. Be sure carton clearly identifies sender by name and address. Attach a letter or card describing the defect. Original receipt of purchase must be included in returned package for warranty coverage.
3. This warranty is void if damage or malfunction is due to abuse or failure to operate product in accordance with instructions and on recommended electrical current.

Mail prepaid via insured parcel post to:

LENTEK INTERNATIONAL • WARRANTY DEPARTMENT
1629 PRIME COURT • SUITE 800
ORLANDO, FL 32809



LENTEK INTERNATIONAL INC.

P.O. Box 593812 • Orlando, FL 32859-3812 visit us on the web:™

Phone: 407•857•8786

Fax: 407•857•4045

Toll Free: 888•3LENTEK

Email: customerservice@lentek.com



MOSQUITO TRAP



Directions For Use

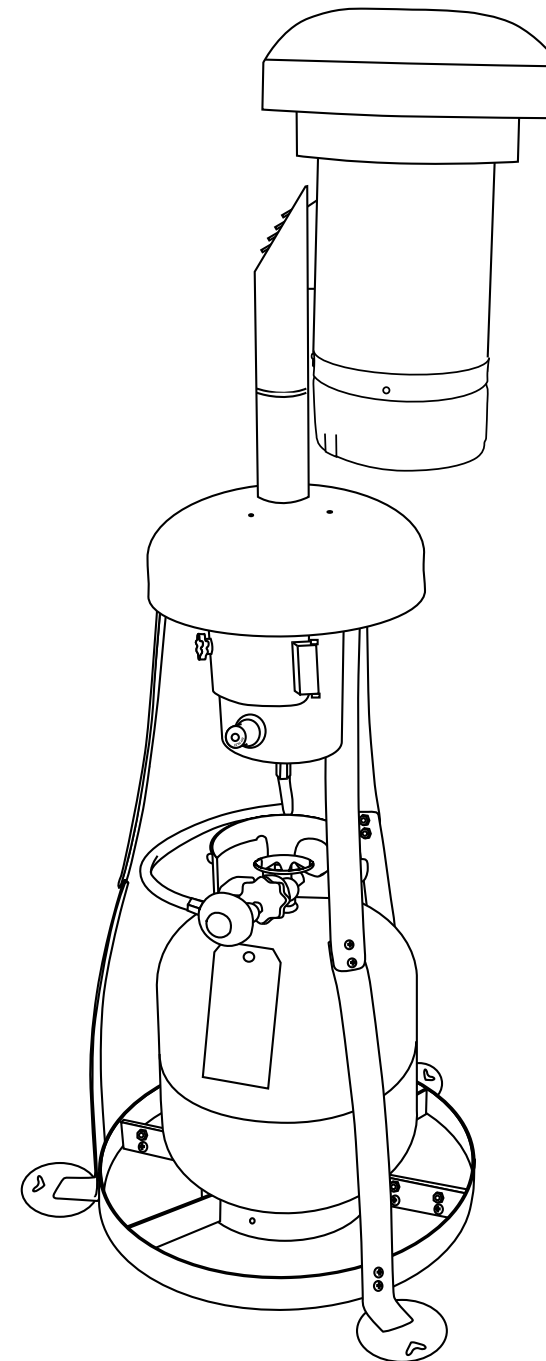
FOR YOUR SAFETY

If you smell gas:

1. Shut off gas to the appliance.
2. Extinguish any open flame.
3. If odor continues, immediately call your gas supplier.

WARNING: Improper installation, adjustment, alteration, service or maintenance can cause injury or property damage. Read the installation, operating and maintenance instructions thoroughly before installing or servicing this equipment.

WARNING: For Outdoor Use Only



Dear Customer,

Thank you and congratulations on your purchase of the Mosquito Trap. This product is the latest in new technology from Lentek™. Your satisfaction is very important to us. We back our product with a one (1) year limited warranty.

Visit our website at www.lentek.com and view the rest of our products, such as our Silã® Air Purification line, Pet Appliance™, Biagianté™ and PestContro® pest control devices. While you're there, register your new purchase, sign up to receive our newsletter, and learn more about our company.

Questions can also be asked on our website, by callers 1-888-3-LENTEK, or 407-857-8786 or contacting your local Lentek dealer.

We look forward to serving you, now and in the future.

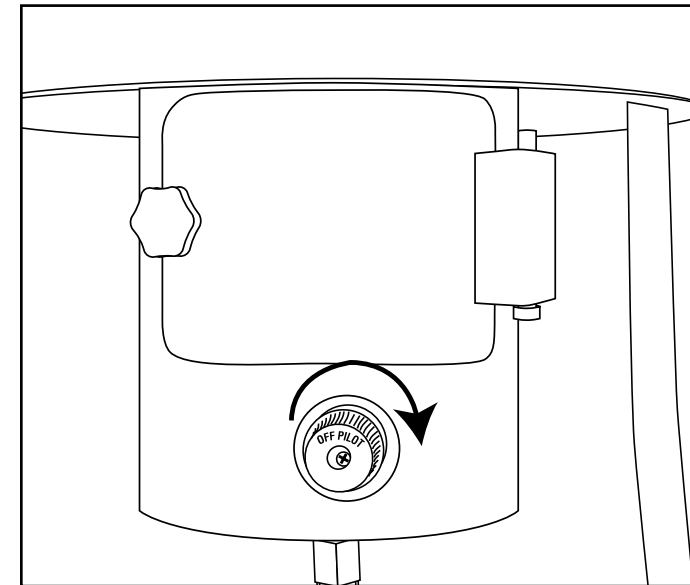
Enjoy!

Joe
Joe Durek
CEO

Lou
Lou Lentine
President

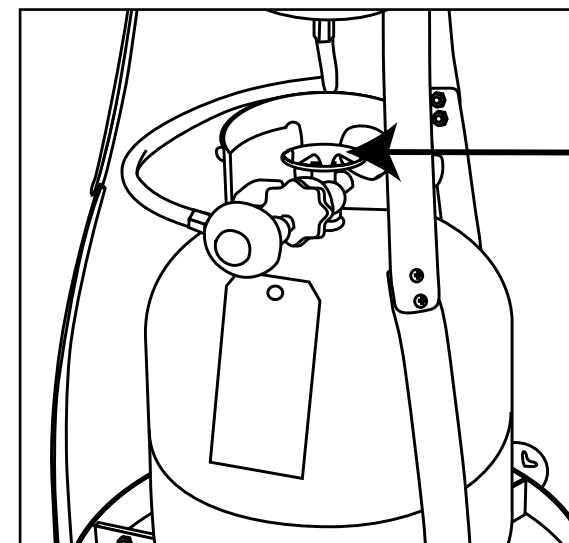


SHUTTING OFF THE MOSQUITO TRAP



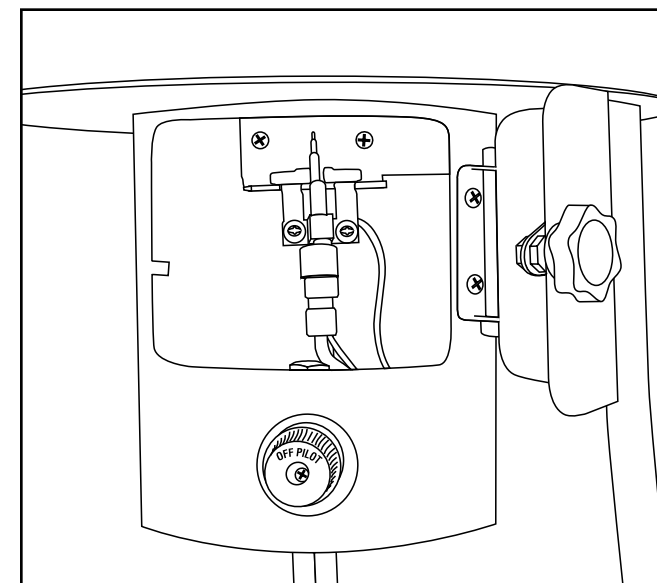
Step 1:

1. Turn the safety knob below the burner door to the off position. Flame will not go out immediately, it takes up to 30 seconds.



Step 2:

2. Close the gas valve on the tank.



Step 3:

3. Open the burner door on the side of the burner unit and verify that the flame has gone out.

STARTING THE MOSQUITO TRAP (cont.)

5. Hold the safety knob for about 30 seconds before releasing. Do not turn the safety knob.
6. Wait at least a minute between lighting attempts to allow unburnt gas to escape. Repeat steps 4 and 5 if burner goes out. There is a safety device that must warm up enough to allow gas to the burner after the safety knob is released (no longer pushed in).

OPERATION

1. Plug in the power cord to an approved outdoor use extension cord per the safety instructions.
2. Locate the ON/OFF switch under the outer lip of the main body. This turns on the heater and the vacuum fan. Turn it ON.
3. Leave the Mosquito Trap turned ON and the burner lit. The Mosquito Trap will operate for 3 to 4 weeks continuously capturing mosquitoes on a single tank of propane.

MAINTENANCE

1. Empty the mosquito capture cup when half full by rinsing the capture cup under running water. Mosquito Fact: About 800 dead mosquitoes equals 1 tablespoon! One ounce equals over 65,000 dead mosquitoes!
2. Refill the propane tank as necessary when using continuously.
3. There is a replaceable fuse next to the ON/OFF switch. Check this fuse if the Mosquito Trap does not turn on when properly plugged into an approved electric outlet.
4. Keep the area around the Mosquito Trap clear and free from combustible materials, gasoline, and other flammable vapors and liquids.
5. Keep the area of the propane cylinder enclosure free and clear from debris.
6. Clean the Mosquito Trap outside surface with a mild detergent and a damp cloth. Do Not Spray with or immerse in water.
7. Replacement parts (Regulator with hose, Catch Cup, Ground Stakes) are available from Lentek International, Inc.



Directions for Assembly and Use

Read before unpacking and operating the Lentek Mosquito Trap.

The Mosquito Trap is for Outdoor Use Only.

FOR YOUR SAFETY:

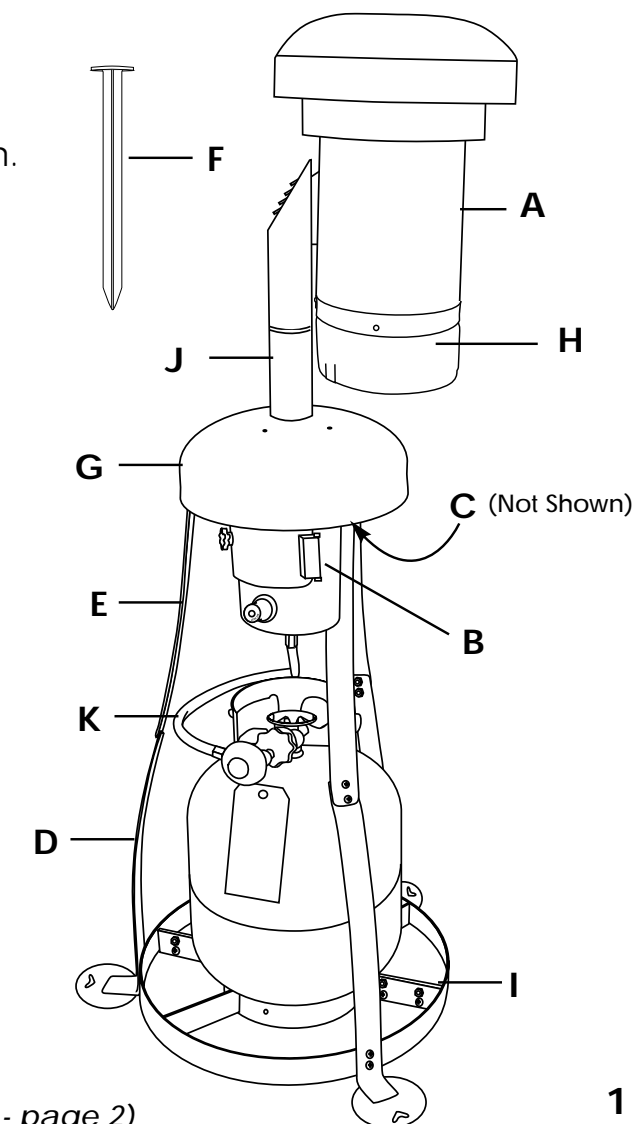
1. Do not store or use gasoline or other flammable vapors and liquids in the vicinity of this or any other appliance.
2. The installation must conform with local codes or, in the absence of local codes, with the National Fuel Gas Code, ANSI Z223.1-1998 for US and with the CANI-B149 for Canada.

TOOLS NEEDED

1. Phillips head screw driver.
2. 10 mm wrench or socket, or an adjustable wrench.
3. Fire Place lighter.

PARTS LIST (Material packed on both sides of foam)

1. Hardware: 8 (5mm x 7mm) screws
29 (6mm x 15 mm) bolts,
lock-washers, nuts.
3 (6mm x 15mm) bolts only
1 (6mm x 15mm) thumb screw
2. Trap Body (A).
3. Burner Unit (B).
4. Upper Body Support (not shown) (C).
5. Base, two piece (I).
6. Legs - bottom (D).
7. Legs - top (E).
8. Ground Stakes (F).
9. Upper Body Shield (G).
10. Support Column (J).
11. Catch cup (H).
12. Regulator with hose (K).
13. 20 lb Propane Tank (Not Included)



(Parts Identification Pictures - page 2)

PARTS IDENTIFICATION

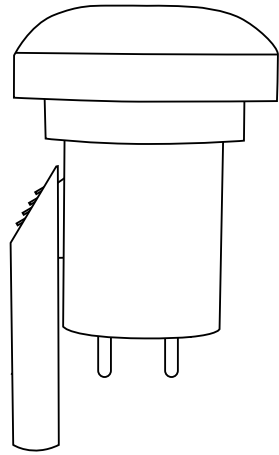
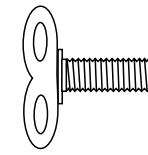
8 (5mm x 7mm) screws



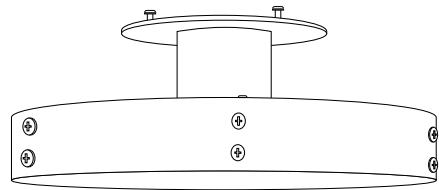
29 (6mm x 15 mm) bolts, lock-washers, nuts.



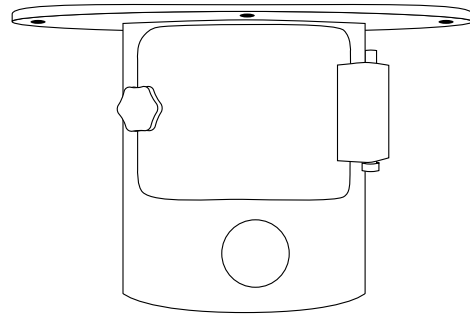
6 x 15 mm thumb screw.



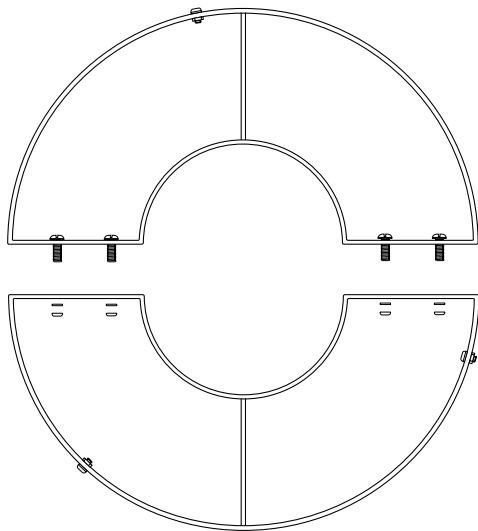
Mosquito Trap Body (A)



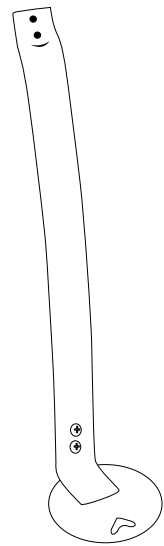
Upper Body Support (C)



Burner Unit (B)



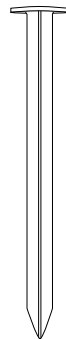
Base Halves (I)



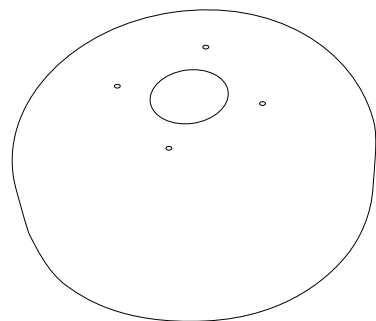
Legs - bottom (D)



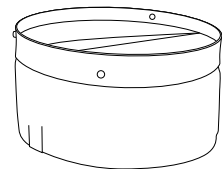
Legs - top (E)



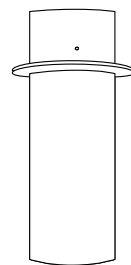
Ground Stake (F)



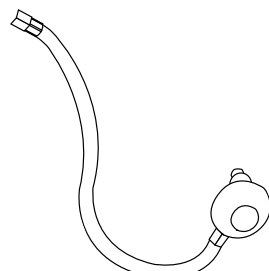
Upper Body Shield (G)



Catch Cup (H)



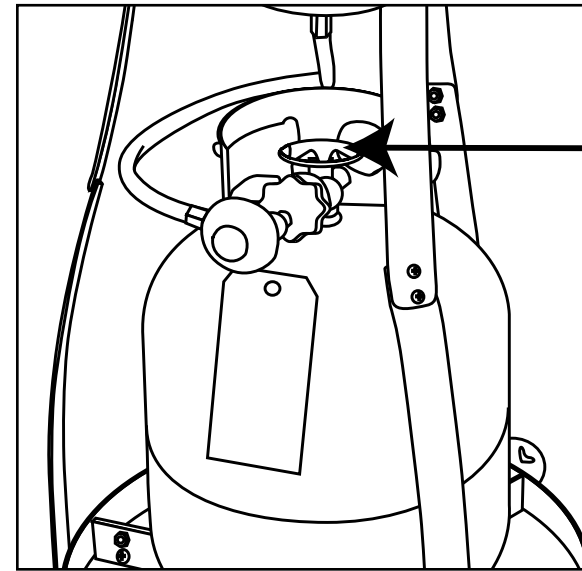
Support Column (J)



Regulator (K)

STARTING THE MOSQUITO TRAP

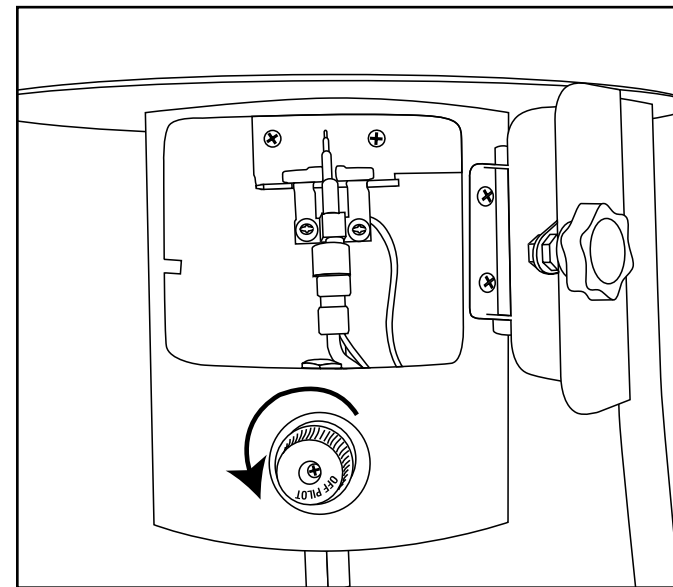
Step 1:



VALVE

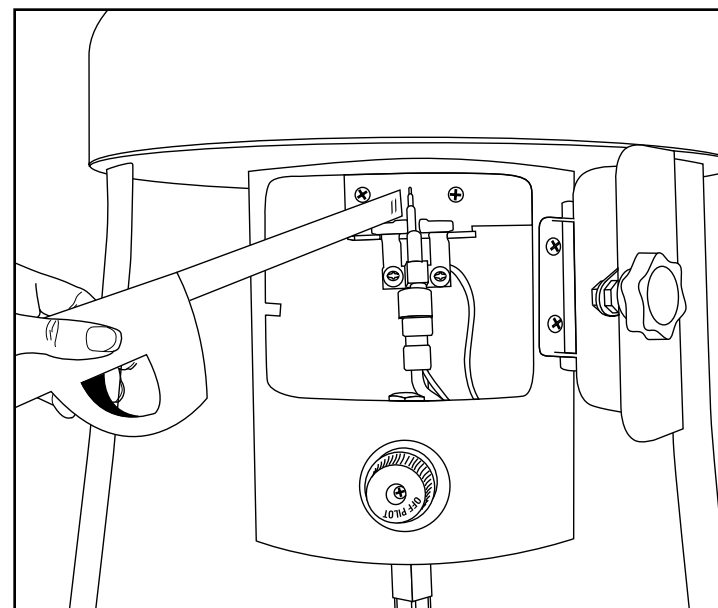
1. Open the gas valve on the tank, by turning it counterclockwise.

Step 2:



2. Open the door on the side of the burner unit.
- 2a. Turn the safety knob below the door to the left until it stops and the word pilot is lined up with the indicator.

Step 3



4. While pressing in the safety knob, reach into the center of the burner unit with a fireplace lighter and light the burner.

(cont. page 12)

WHERE TO PLACE THE MOSQUITO TRAP

Many species of mosquito have an adult life span that lasts about two weeks. Approximately 3000 species of mosquito have been identified world-wide, with approximately 170 species found in the United States. Both male and female mosquitoes feed on plant nectar, but only the female requires a blood meal. The blood meal is needed for each batch of eggs the female lays, typically feeding once every 3-4 days. A blood meal usually lasts about 90 seconds if the mosquito is not disturbed. Females only need to mate once, typically 2-3 days after emerging as an adult.

The female mosquito is attracted to a host by scent (including CO₂), temperature, color, movement, and for some species, sound. There are an estimated 400 chemicals emitted from human skin and about 100 volatile compounds in each human breath that mosquitoes can detect. The combination and amount of chemicals given off is believed to be why some people are more readily bitten than other people. The female mosquito is most active between 50 degrees Fahrenheit and 95 degrees Fahrenheit in calm or light breeze conditions. Mosquitoes tend to travel up-wind when seeking a blood meal. Most species of female mosquito take about 90 seconds to complete a blood meal that is equal to 1 1/2 times its normal body weight.

The placement of the Mosquito Trap will greatly affect the success of the unit capturing mosquitoes. The most mosquitoes will be captured by positioning the Mosquito Trap 30 to 40 feet from the location you want to protect, in the normal down-wind direction towards where mosquitoes are living (trees, bushes, water). The mosquitoes will encounter the Mosquito Trap and be captured, before coming into contact with you and your family.

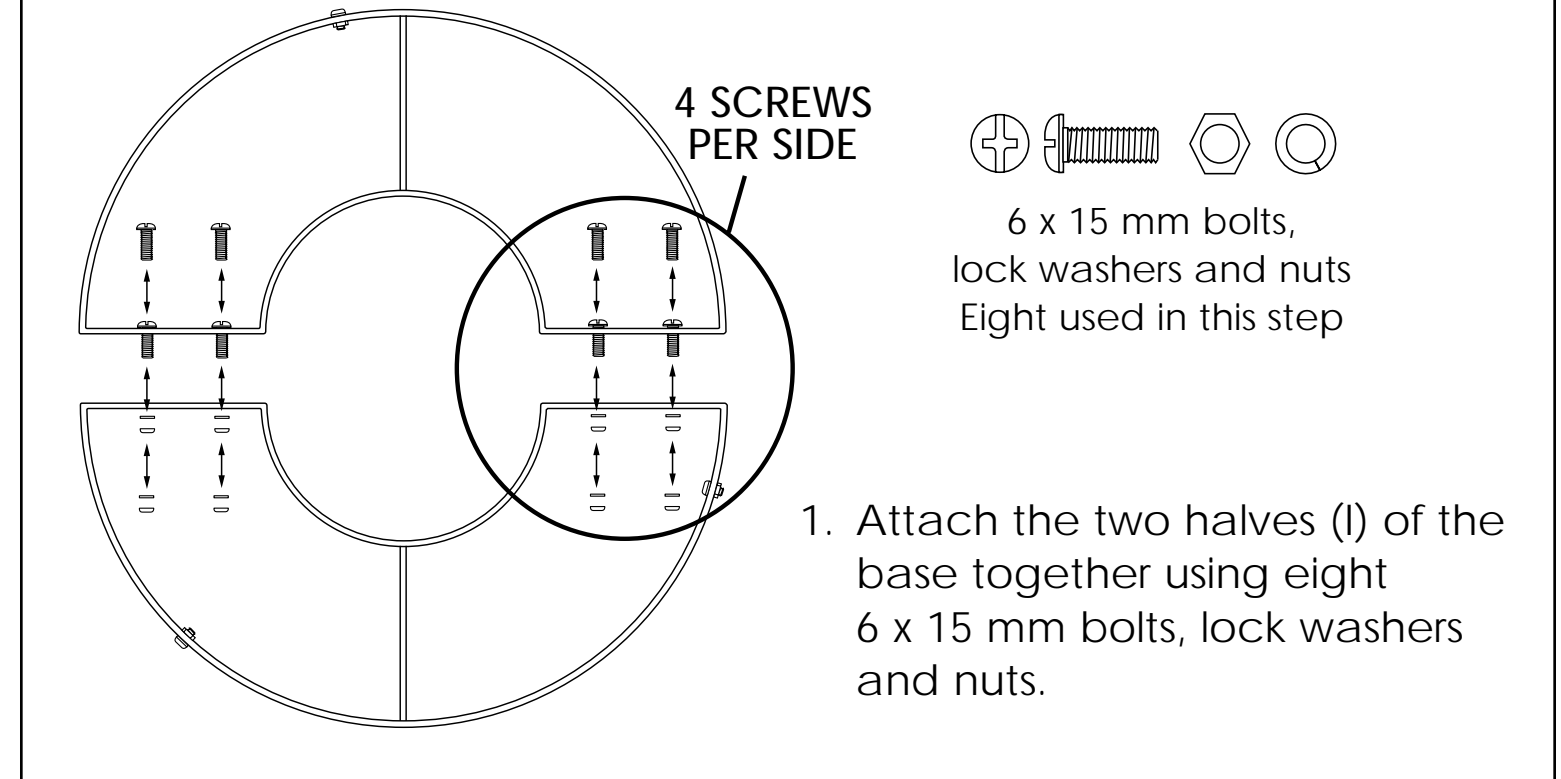
Warning: Minimum clearance 24 inches to walls or ceilings.

HOW THE MOSQUITO TRAP WORKS

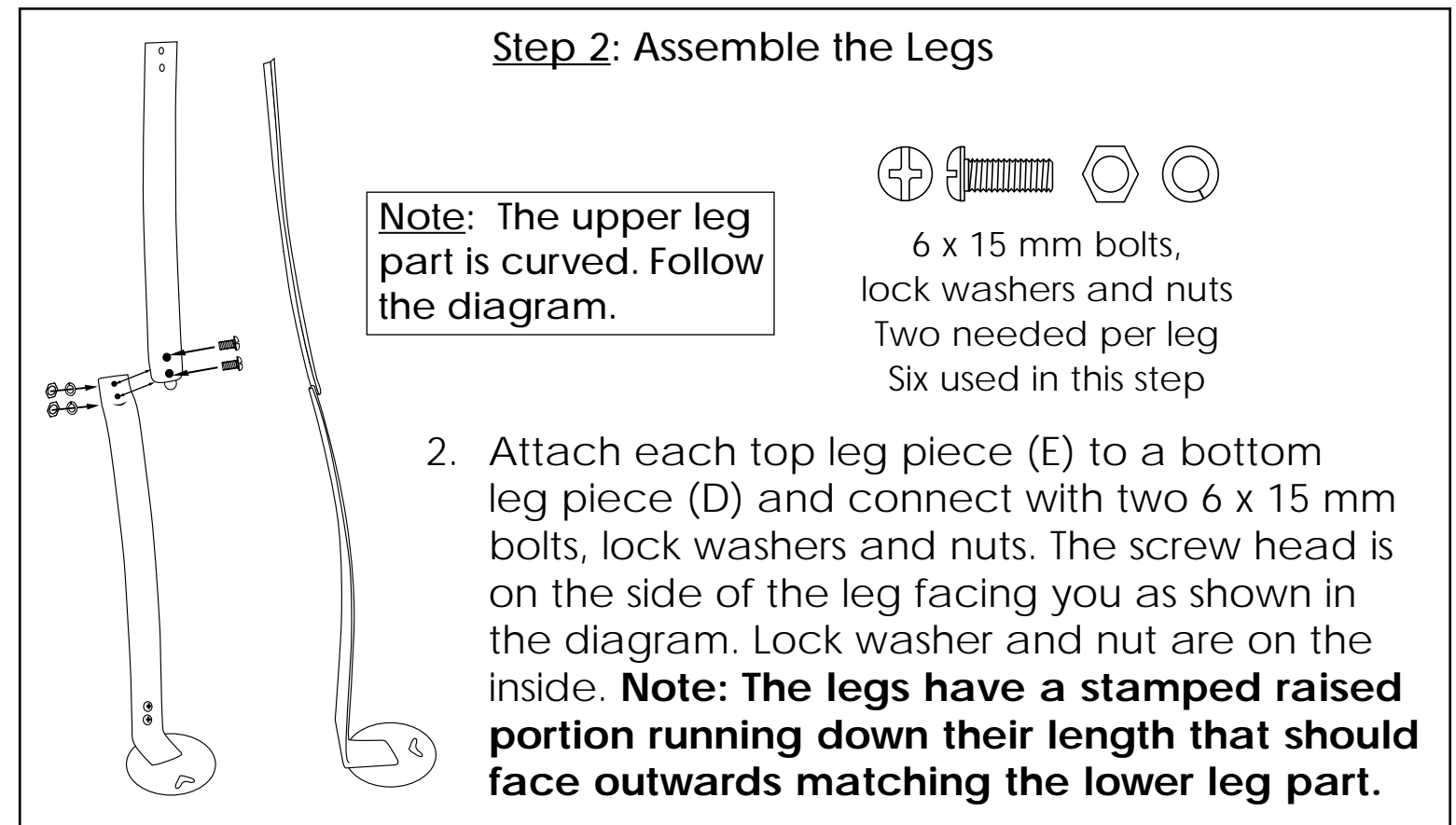
The Lentek Mosquito Trap utilizes the documented attractiveness of CO₂, moisture, body temperature (thermal imaging), color, and airflow in an effective design that captures and kills mosquitoes. Similar traps have been in use for years by universities, State monitoring programs and researchers around the world. The Lentek Mosquito Trap uses this traditional trapping approach, combined with the latest in research, to turn the female mosquitoes natural hunting techniques toward seeking out the trap and facilitating capture in a product that private home owners can use.

ASSEMBLY

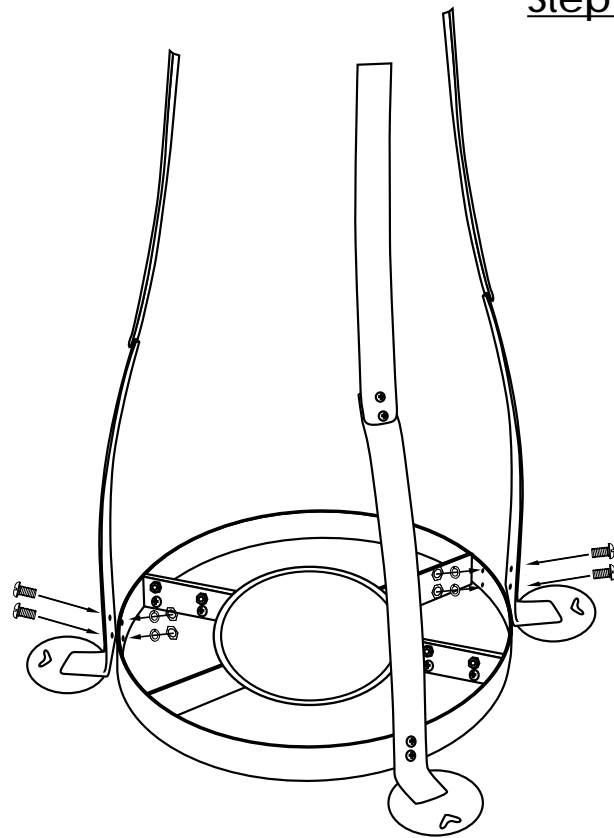
Step 1: Assemble the Base



Step 2: Assemble the Legs



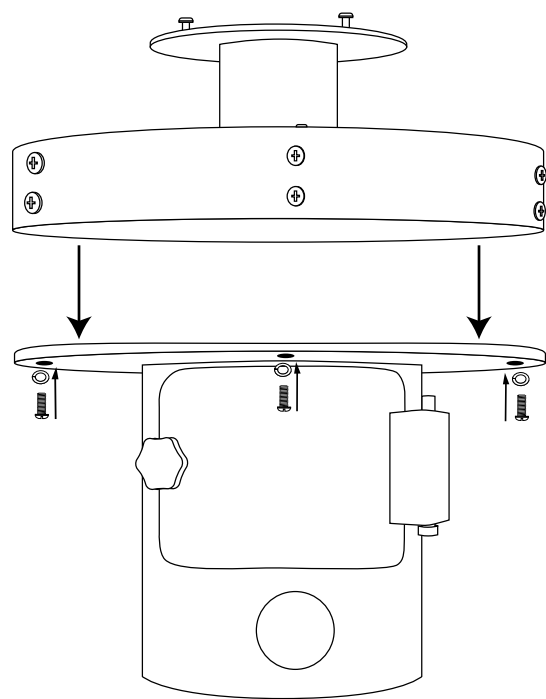
Step 3: Attach the legs to the base



6 x 15 mm bolts,
lock washers and nuts
Two needed per leg
Six used in this step

3. Fasten each of the three assembled legs to the outside of the base with 6 x 15 mm bolts, lock washers and nuts. Screw heads face outside with lock nuts and bolts on the inside.

Step 4: Assemble the burner unit to the upper body support



6 x 15 mm bolts,
lock washers
Three used in this step

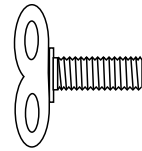
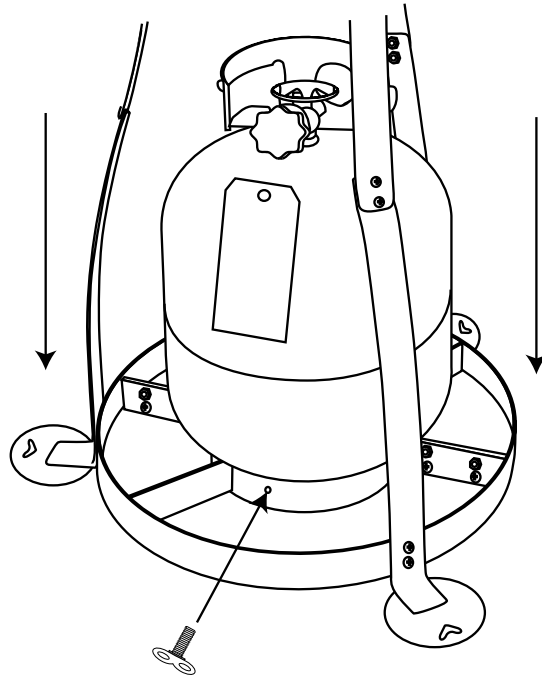
4. Attach the burner unit to the upper body support with three 6 x 15 mm bolts. Screw heads face down with lock washers into threaded holes.

SAFETY

1. Use only extension cords having plugs and receptacles that accept the Mosquito Trap's plug. The Mosquito Trap has a 3-conductor cord and 3-prong grounding type plug to fit a properly grounded outlet. Replace or repair damaged cords.
2. The electrical rating of the extension cord must be as great as the electrical rating of the Mosquito Trap. Use extension cords with 14 gauge or greater wire with a label stating suitable for use outdoors.
3. Don't abuse cord. Never yank it to disconnect from receptacle. Keep cords from heat, oil, and sharp edges.
4. Devices for retaining an extension cord connection to the power supply cord are available where ever fine extension cords are sold.
5. The connection between the Mosquito Trap and any extension cord used must be kept dry and off of the ground.
6. Disconnect the Mosquito Trap from the power supply when not in use, before servicing, cleaning, etc.
7. Do not insert foreign objects into this product.
8. The Mosquito Trap is for Outdoor Use Only.
9. The Mosquito Trap should be stored indoors when not in use and kept away from children.
10. To avoid electric shock, DO NOT clean the Mosquito Trap by spraying water or by immersion in water.
11. All repairs to the Mosquito Trap must be performed only by qualified service personnel.
12. Read and follow all instructions affixed to the propane tank.
13. **Young children should be carefully supervised when they are in the area of the Mosquito Trap.**
14. **Clothing or other flammable materials should not be hung from the Mosquito Trap, or placed on or near the Mosquito Trap.**
15. **Any guard or other protective device removed for servicing the Mosquito Trap must be replaced prior to operating.**
16. It is imperative that the compartment, burner, and circulating air passageways of the Mosquito Trap be kept clean.
17. A maximum of a 20 lb. LP-Gas cylinder shall be used with the Mosquito Trap.
18. The LP-Gas cylinder must be provided with a shutoff valve terminating in an LP-Gas supply cylinder valve outlet specified for Connection No. 510 in the Standard for Compressed Gas Cylinder Valve Outlet and Inlet Connections, ANSI/CGA-V-1-1977 (Any standard 20 lb. Propane tank manufactured in the USA after 1999).
19. The LP-Gas cylinder supply system must be arranged for vapor withdrawal and the cylinder must include a collar to protect the cylinder valve.
20. The LP-Gas cylinder used shall be constructed and marked in accordance with the specifications for LP-Gas cylinders of the U.S. Department of Transportation (DOT).
21. This Mosquito Trap shall be used outdoors only in a well ventilated space and shall not be used in a building, garage, or any other enclosed area.
22. The LP-Gas cylinder must be disconnected and removed from the Mosquito Trap, if the appliance is stored indoors.
23. LP-Gas cylinders must be stored outdoors in a well ventilated area out of the reach of children. Disconnected cylinders must have threaded valve plugs tightly installed and must not be stored in a building, garage, or any other enclosed area.
24. The pressure regulator and hose assembly supplied with the Mosquito Trap must be used for connection to the LP-Gas cylinder. Replacement pressure regulators and hose assemblies must be provided by Lentek International, Inc.

ATTACHING THE PROPANE TANK

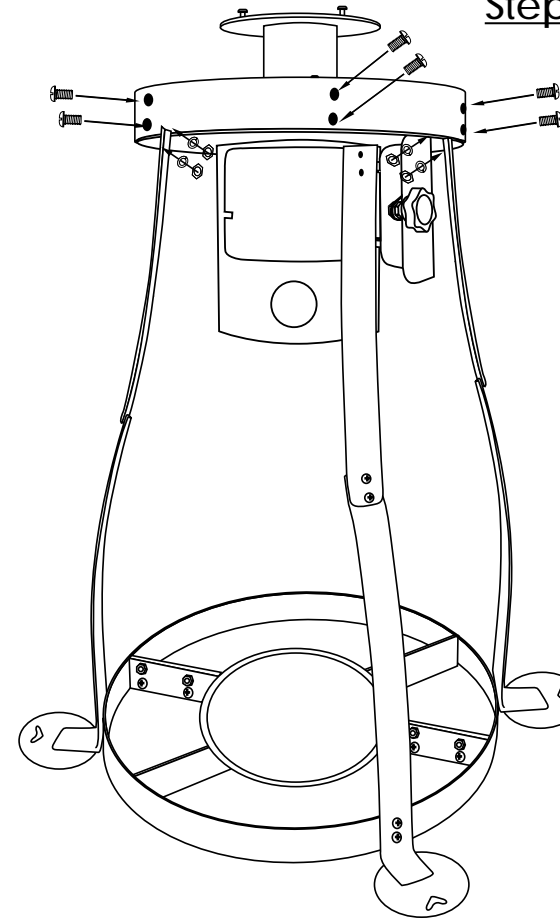
Step 11: Attach the propane tank to the base.
Always use no larger than a 20 lb. propane tank



6 x 15 mm thumb screw
One used in this step

1. Place a full tank (20 lb) of propane on the base bracket. Follow safety information on tank.
- 2a. Attach tank anchor thumb screw into threaded hole.
- 2b. Or use a small padlock in larger unthreaded hole if added security is desired.

Step 5: Attach the upper body support to the legs

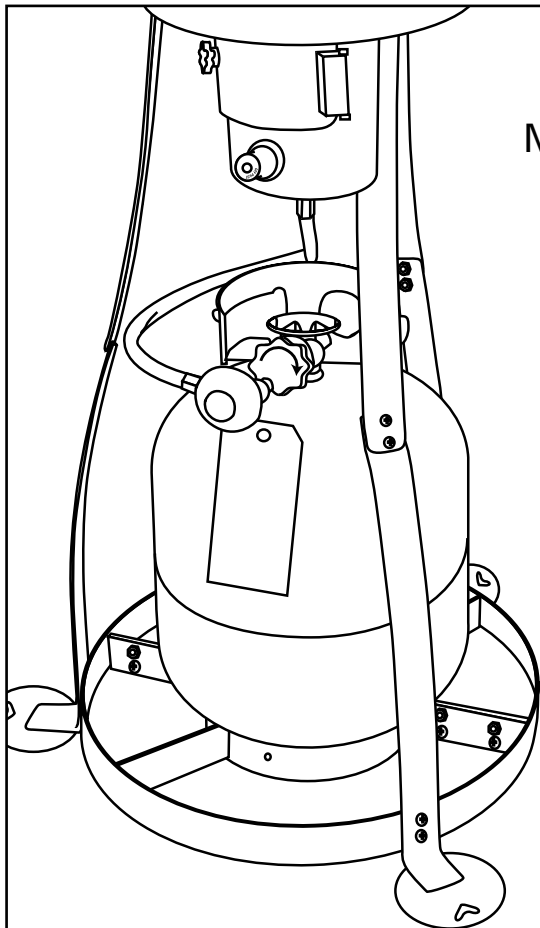


6 x 15 mm bolts,
lock washers and nuts
Six used in this step

5. Position the upper body support with the burner unit attached on top of the legs. The legs should be on the inside. Secure using two 6 x 15 mm bolts, lock washers, and nuts per leg. Screw heads are on the outside with lock washers and nuts on the inside. Note: Be sure burner door is not behind leg.

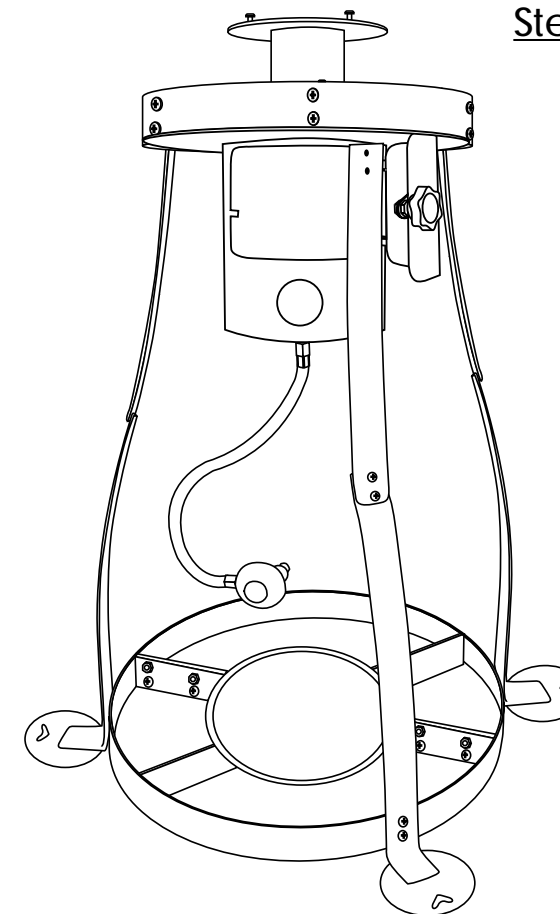
Step 12: Attach the gas regulator valve to the propane tank

Minimum inlet gas supply pressure: 11 inches wc



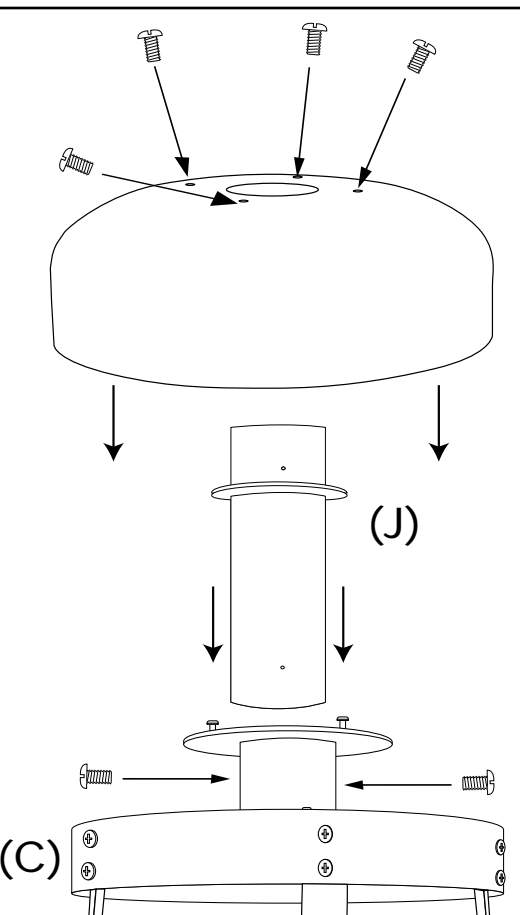
3. Remove protective cap from the propane hose fitting.
4. Attach hose with regulator to propane tank, turning clockwise to tighten. The hose fitting must be securely tightened by hand to prevent any gas leakage. **Never use any tools to tighten the fitting!**
5. Check for gas leak by putting soapy water on connector and looking for bubbles.
6. Inspect the hose before each use. The hose assembly must be replaced if there is excessive abrasion or wear, or if hose is damaged. Replacement hose assembly is specified by manufacturer.

Step 6: Attach the gas regulator supply hose



6. Attach regulator hose to bottom of burner. Thread on clockwise until hand tight. Use an adjustable wrench to tighten an additional 1/4 turn. **Do Not Over Tighten!**

Step 7: Attach the support column and upper body shield



(G)

5 x 7 mm screws
Six used in this step

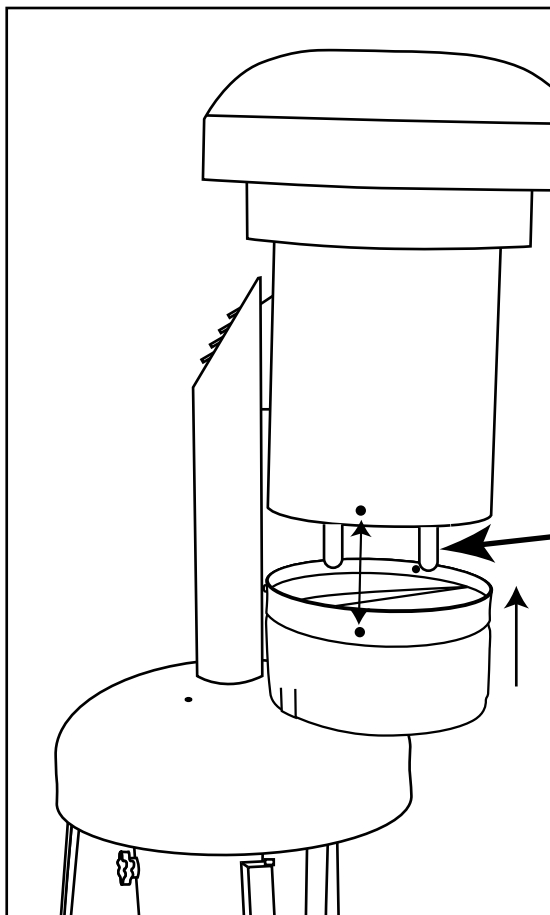
(J)

(C)

7a. Slide the support column (J), short end up into the upper body support (C), secure with two 5 x 7 mm screws by lining up the holes.

7b. Place the green upper body shield (G) on top of the upper body support and secure with four 5 x 7 mm screws.

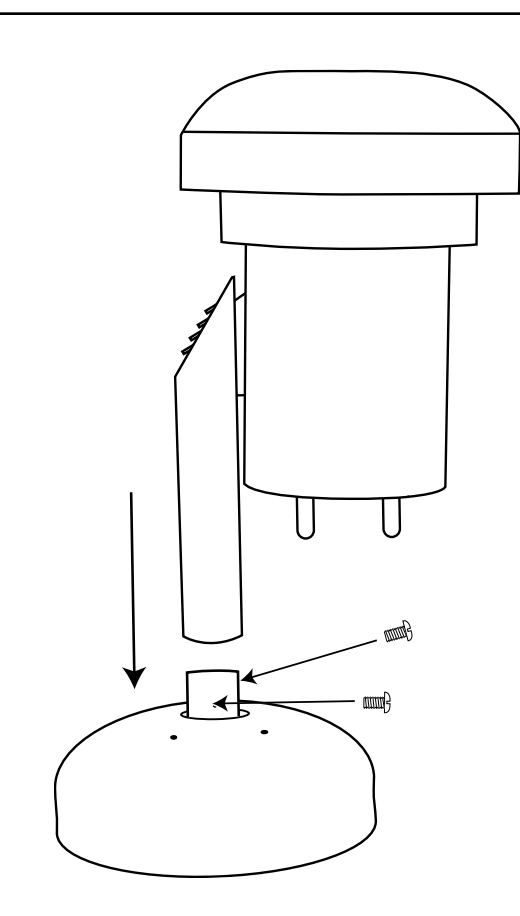
Step 9: Attach the catch cup



PRONGS

9. Slide the catch cup into position using the alignment marks. Catch cup lid is opened downward by prongs attached to underside of trap.

Step 8: Attach the trap body



5 x 7 mm screws
Two used in this step

8. Slide the pipe attached to the Trap body over the support column. Rotate to line up the screw holes. Secure using two 5 x 7 mm screws.

Step 10: Hammer the pegs into the ground to secure the Mosquito Trap.

